

Preparation unit—FR.L combination



GFC Series



GFC

Specification

Model	GFC200-06	GFC200-08	GFC300-08	GFC300-10	GFC300-15	GFC400-10	GFC400-15	GFC600-20	GFC600-25	
Fluid	Air									
Port size	1/8"	1/4"	1/4"	3/8"	1/2"	3/8"	1/2"	3/4"	1"	
Filtering grade	40 μm or 5 μm									
Pressure range	Semi-auto and automatic drain: 0.15~0.9MPa(20~130psi); Manual drain: 0.05~0.9MPa(7~130psi)									
Max. pressure	1.0MPa(145psi)									
Proof pressure	1.5MPa(215psi)									
Temperature range	-20~70°C									
Capacity of drain bowl	10CC		40CC			80CC		230CC		
Capacity of oil bowl	25CC		75CC			160CC		380CC		
Recommended lubricant	ISO VG 32 or equivalent									
Weight	430g		980g			1950g		4320g		
Constitute	Filter-Regulator	GFR200-06	GFR200-08	GFR300-08	GFR300-10	GFR300-15	GFR400-10	GFR400-15	GFR600-20	GFR600-25
	Lubricator	GL200-06	GL200-08	GL300-08	GL300-10	GL300-15	GL400-10	GL400-15	GL600-20	GL600-25

Ordering code

GFC200 08 M L F 1 W K

Model
 GFC200: G200 Series FR.L unit
 GFC300: G300 Series FR.L unit
 GFC400: G400 Series FR.L unit
 GFC600: G600 Series FR.L unit

Model	Port size
GFC200	06: 1/8"
	08: 1/4"
GFC300	08: 1/4"
	10: 3/8"
GFC400	15: 1/2"
	10: 3/8"
GFC600	20: 3/4"
	25: 1"

Code of reflux valve ②
 Blank: No reverse flow valve is attached
 K: Reverse flow valve is attached

Thread type
 Blank: PT
 T: NPT
 G: G

Filtering grade
 Blank: 40 μm
 W: 5 μm

Scale
 1: MPa
 2: psi
 3: bar

Pressure gauge shape
 F: Square
 C: Circular

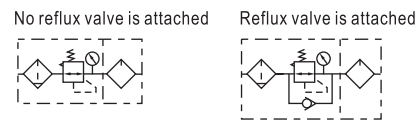
Drain type

Drain type	Adaptable product's series
Blank: Semi-auto drain	GFC200, GFC300
M: Manual drain	GFC400, GFC600
A: Automatic drain	GFC300, GFC400, GFC600

Type code
 Blank: Standard
 L: Lower pressure ①

Pressure gauge
 Blank: Pressure gauge
 N: No pressure gauge

Symbol

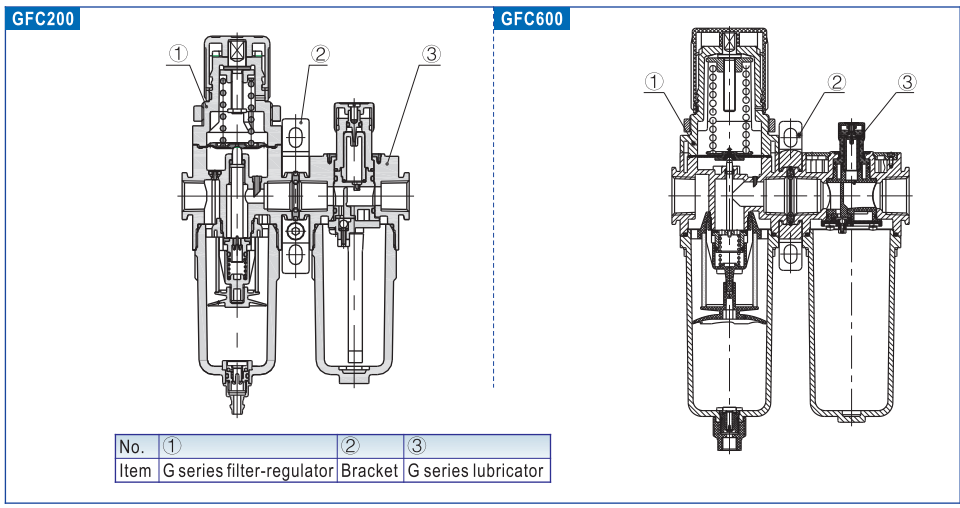


Product feature

1. Quick and reliable mounting clamps makes it convenient to install and use.
2. The performance of pressure adjustment is reliable with high precision.
3. The efficiency of eliminating moisture and solid grain is high.
4. Three drain types are available: manual drain, semi-auto drain and automatic drain.

① The maximum work pressure of lower pressure type is 0.4MPa(58psi). ② Please refer to page 144 for details of reflux valve.

Inner structure

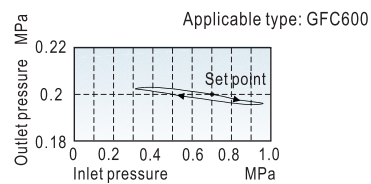
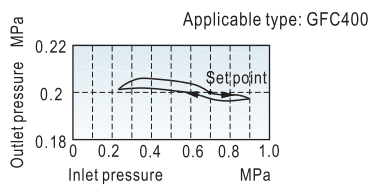
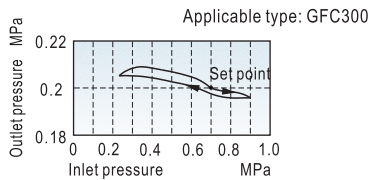
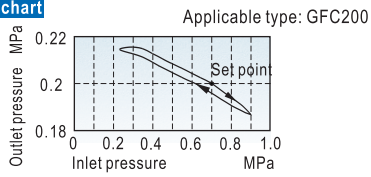


Preparation unit—FR.L. combination

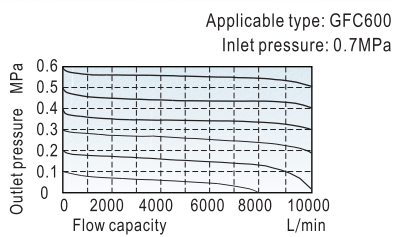
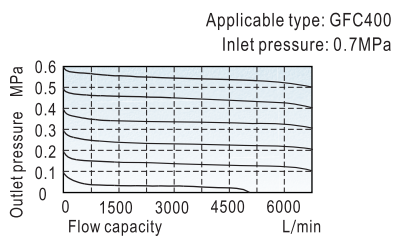
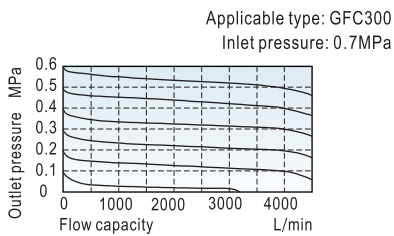
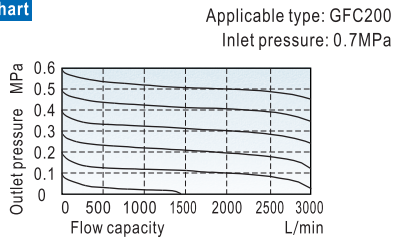
GFC Series

Pressure and feature of flow

Pressure chart

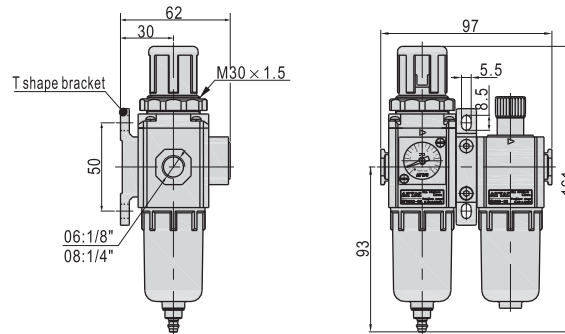


Flow chart

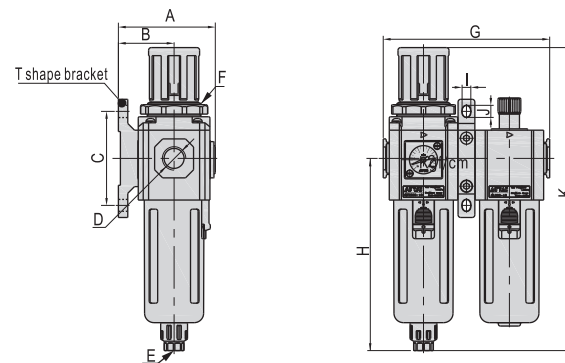


Dimensions

GFC200

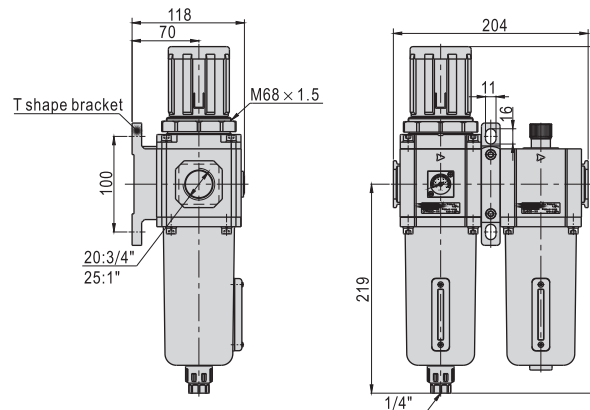


GFC300/GFC400



Model\Item	A	B	C	D	E	F	G	H	I	J	K
GFC300-08	72	41.5	70	1/4"	1/8"	M40x1.5	124	143	6.5	9	225.5
GFC300-10	72	41.5	70	3/8"	1/8"	M40x1.5	124	143	6.5	9	225.5
GFC300-15	72	41.5	70	1/2"	1/8"	M40x1.5	124	143	6.5	9	225.5
GFC400-10	89	50	80	3/8"	1/4"	M55x2.0	164	166.5	8.6	12	270.5
GFC400-15	89	50	80	1/2"	1/4"	M55x2.0	164	166.5	8.6	12	270.5

GFC600



GFC

